

Sprinter

UPFITTING AND ACCESSORIES



WORK VEHICLES THAT WORK BETTER!





Who We Are

Advantage Outfitters is a commercial vehicle upfitter, specializing in storage equipment and accessories for cargo vans. With 15+ years of experience, we have earned the trust of contractors, trade fleets, utilities, municipalities, vehicle dealers, and leasing companies. We are defined by our strong team spirit and our passion for making our customers happy. Our entire team is committed to making your work vehicles work better!

Our Team



*Real People.
Real Passion.*

Our Service



Our Facilities



866.925.4844

fax: 800.925.2095

sales@advantageoutfitters.com

www.advantageoutfitters.com

New York • New Jersey • Connecticut

What's the Advantage?

We make it easy:

- Simplified layout and design process
- Technical support and configuration assistance

We make it fast:

- Everything in this catalog is in stock
- Installs within 48 hours or less

We make it last:

- Certified and trained Installers
- Lifetime Installation Warranty

Read what our customers say about us!

"they are a well coordinated team, from sales to technical support to installation"
—David M.

"very well run and efficient operation, AAA+++ customer service"
—Eric S.

"great deal and very smooth transaction, everyone was very helpful with my order from start to finish"
—Nick C.

"I couldn't have been more impressed with their attention to detail"
—Daniel S.

"superb customer service"
—Glenn M.

Certified Mercedes-Benz

**MASTER
UPFITTER**

Onsite Installation Available!



Interior Finishing



Wall & Door Liners

- Protect your vehicle investment
- 3/16" gray plastic
- Highly durable & impact resistant

Note: Full interior liner kits and insulation kits are available. Call for details.



Model	Wall Liners Part#	Door Panels Part#	Model	Wall Liners Part#	Door Panels Part#
144" WB LR	601M1WL	601MXDPL	170" WB HR	601M4WL	601MXDPH
144" WB HR	601M2WL	601MXDPH	170" WB Ext HR	601M6WL	601MXDPH

INTERIOR FINISHING

Logistics Kits

Aluminum Lashing Rail

- Durable & versatile
- Single level kits include 5 movable tie-down rings
- Double level kits include 10 movable tie-down rings
- Ratchet straps also available



Model	Single Level Part#	Double Level Part#
144" WB LR	842M1LK	—
144" WB HR	842M1LK	842M2LK2
170" WB HR	842M4LK	842M4LK2
170" WB Ext HR	842M6LK	842M6LK2

Floor Protection

Rubber Floor Mat:

- 1/4" virgin rubber resists oils and chemicals
- Saves knees and increases traction
- One piece seamless



Rubber Floor



StabiliGrip Floor

StabiliGrip Floor:

- 3/8" hard plastic with fiberglass reinforcement
- Provides firm base for tools and equipment
- Durable, non-skid surface

Diamond Plate Aluminum:

- 1/8" aluminum for lasting durability
- Superior impact & puncture resistance



Side Door Sill (optional)



Rear Door Sill (optional)



Diamond Plate Aluminum

Door Sills (optional):

- Custom fit, heavy-duty diamond plate aluminum sill plates

Model	Rubber Floor Mat Part#	StabiliGrip Floor Part#	Diamond Plate Aluminum Part#
144" WB	654M1AM	654M1SG	698M1DP
170" WB	654M4AM	654M4SG	698M4DP
170" WB Ext	654M6AM	654M6SG	698M6DP

Description	Door Sill Part#
Rear & Side Sliding Doors	654MXRSS

Interior Lighting

- High intensity 2' LED light
- 800 lumens
- Ultra low power draw
- Wired with OEM switch

Description	Part#
Single 2' LED light	452XXLD2



Safety Partitions



SAFETY & SECURITY



Pass-Thru Partition

- Galvanized steel
- 5" setback for seatback travel
- Economical protection



Roof	Part#
Low Roof	276M1PTP
High Roof	276M2PTP

Straight Partition

- Galvanized steel
- 5" setback for seatback travel
- Mesh upper for visibility into rear



Roof	Part#
Low Roof	276M1SP
High Roof	276M2SP

Crew Van Partitions

- Lightweight aluminum
- Custom fit for behind sliding door



Roof	Part#
Solid Partition	
High Roof	176M2CVP
Solid Partition – Window	
High Roof	176M2CVPW

Partitions With Door

Swing Door Partition

- Galvanized steel
- Hinged door with latch
- 5" setback for seatback travel
- Mesh upper for visibility into rear
- Versatile & economical



Swing Door Partition



Sliding Door Partition

Sliding Door Partition

- Lightweight & durable aluminum
- Lockable sliding door
- Window for visibility into rear
- Rattle free design

Roof	Part#
Swing Door Partition	
Low Roof	276M1HDP
High Roof	276M2HDP

Roof	Part#
Sliding Door Partition	
Medium Roof	176M1SDP
High Roof	176M2SDP

Contoured Partitions

- Lightweight & durable aluminum
- Contoured design gives maximum seatback travel & floor space



Contoured Solid Partition



Contoured Partition – Window

Model	Part#
Contoured Solid Partition	
Low Roof	176M1CP
High Roof	176M2CP

Model	Part#
Contoured Partition – Window	
Low Roof	176M1WP
High Roof	176M2WP

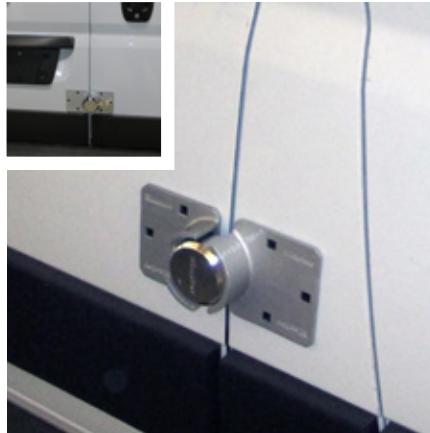
Door Security

Hasp Locks

- High security shielded hasps
- Solid steel “puck” style locks included

Slick Locks

- High security hasps use factory mounting points
- Solid steel “puck” style locks included
- Custom fit for drill-free installation



Hasp Lock

Description	Hasp Lock Part#
Cargo Doors (set of 2)	758XXHL



Slick Lock

Description	Slick Lock Part#
Cargo Doors (set of 2)	788MXSL

Reverse/Driving Safety

Reverse Sensors

- 4 bumper mount sensors
- Digital LED display with audio alarm



Description	Part#
Reverse Sensors	580XXRVS

Back-up Alarm

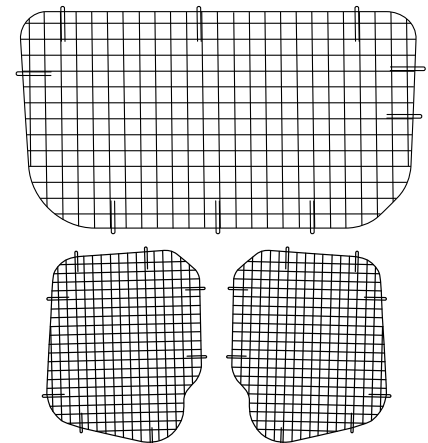
- 97 dba
- Commercial grade



Description	Part#
Back-up Alarm	594XXBU

Window Grills

- Black painted wire mesh construction



Description	Part#
Side Sliding Door	876MXSG
Rear Doors (set of 2)	876MXRG



Strong... Lightweight...
Quiet... Customizable...

Load tested to 1200 lbs



Here's what our
customers say about
their upfitted vans

"my technicians are able to keep
the truck organized, which increases
our overall efficiency"

– Michael S.

"you really helped us get the maximum
benefit out of our vehicles"

– Michael R.

"ready-made solutions that are lighter,
stronger, and more durable than anything
we could have come up with"

– Greg W.

LIMITED
LIFETIME
WARRANTY
★ ★ ★

RANGERTM
DESIGN

Shelving Packages



Choose from Steel...



Hybrid design for reduced weight*



Up to 40% weight savings versus comparable steel packages



Durable construction for years of service



Composite shelf bottoms for a quiet ride



Cost-effective packages for any budget



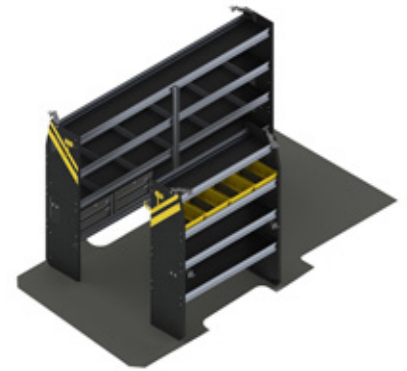
63" high shelving units



Rattle-free design

* Steel end panels with extruded aluminum shelf lips

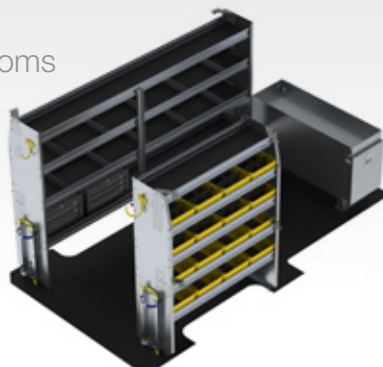




...or Upgrade to Aluminum!

UPGRADE OPTION

-  All-aluminum design for maximum weight savings
-  Reduced overall van mass to optimize fuel economy
-  Premium construction for the most demanding professionals
-  Composite shelf bottoms for a quiet ride
-  63" high shelving units
-  Rattle-free design



Base Packages



STEEL

Base Package 144" WB



Driver's side includes:

- (1) 62"H x 96"L 4-shelf shelving unit

Passenger's side includes:

- (1) 62"H x 48"L 4-shelf shelving unit



Description	Part#
Steel Base Package, 144" WB	276M1BP

ALUMINUM UPGRADE OPTION

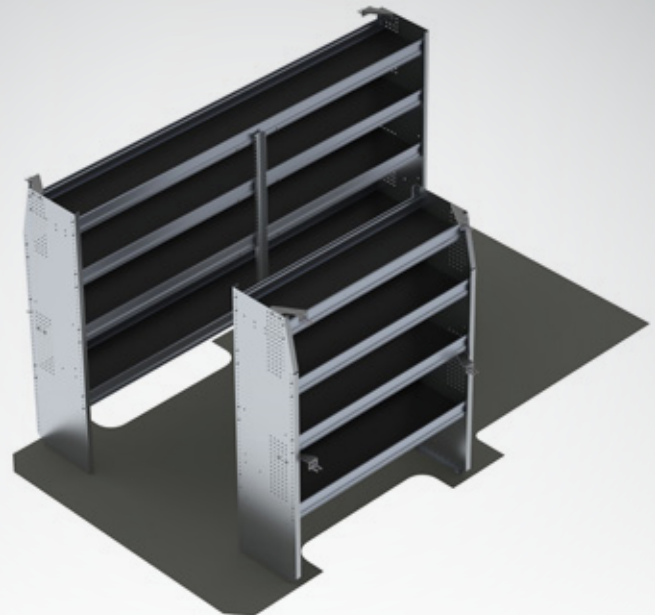
Base Package 144" WB

Driver's side includes:

- (1) 62"H x 96"L 4-shelf shelving unit

Passenger's side includes:

- (1) 62"H x 48"L 4-shelf shelving unit



Description	Part#
Aluminum Base Package, 144" WB	176M1BP

STEEL

Base Package 170" WB

Driver's side includes:

- (2) 62"H x 60"L 4-shelf shelving units

Passenger's side includes:

- (1) 62"H x 60"L 4-shelf shelving unit



Description	Part#
Steel Base Package, 170" WB	276M4BP

ALUMINUM UPGRADE OPTION

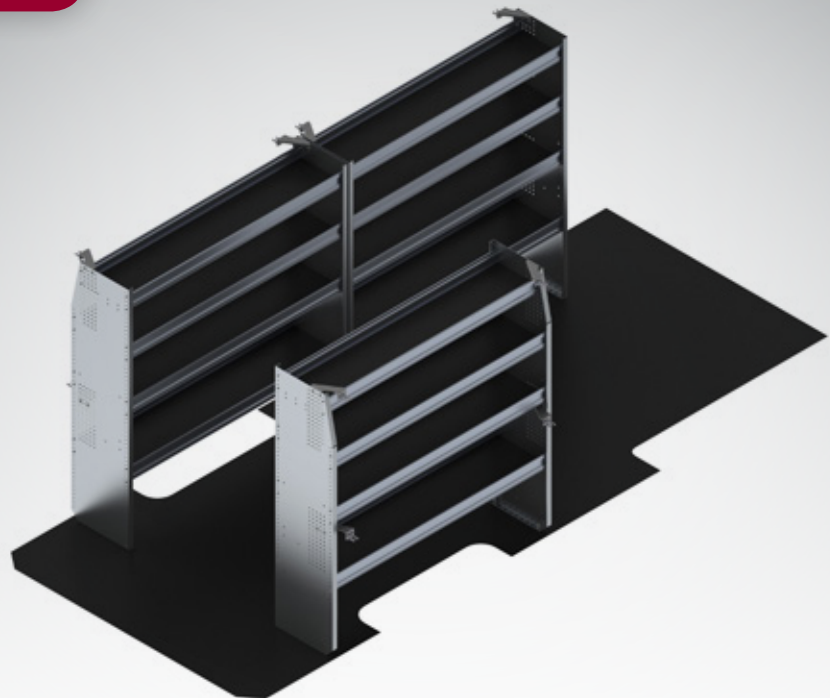
Base Package 170" WB

Driver's side includes:

- (2) 62"H x 60"L 4-shelf shelving units

Passenger's side includes:

- (1) 62"H x 60"L 4-shelf shelving unit



Description	Part#
Aluminum Base Package, 170" WB	176M4BP

General Service Packages



STEEL

General Service Package 144" WB

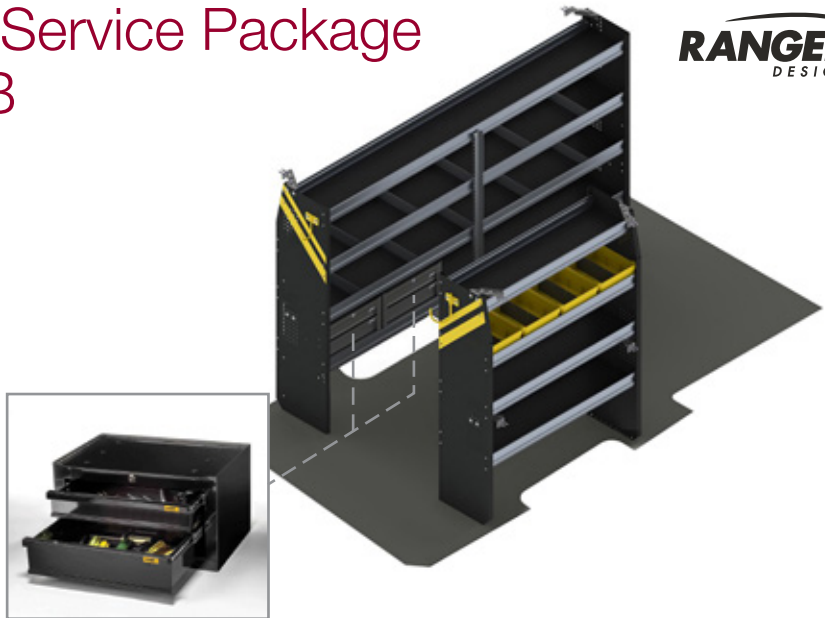


Driver's side includes:

- (1) 62"H x 96"L 4-shelf shelving unit
- (10) adjustable 3" rattle-free dividers
- (2) 18.5"W x 10.5"H 2-drawer cabinets
- (1) fixed hook

Passenger's side includes:

- (1) 62"H x 48"L 4-shelf shelving unit
- (4) 14"D x 12"W plastic bins
- (1) swivel hook



Description	Part#
Steel General Service Package, 144" WB	276M1GSP

INTERIOR STORAGE & ORGANIZATION

ALUMINUM UPGRADE OPTION

General Service Package 144" WB

- ✓ All-aluminum
- ✓ Additional drawer system at side door

Driver's side includes:

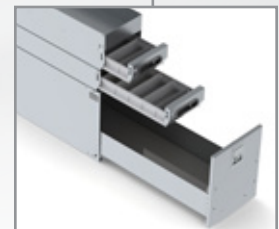
- (1) 62"H x 96"L 4-shelf shelving unit
- (10) adjustable 3" rattle-free dividers
- (2) 18.5"W x 10.5"H 2-drawer cabinets
- (1) fixed hook

Passenger's side includes:

- (1) 62"H x 48"L 4-shelf shelving unit
- (4) 14"D x 12"W plastic bins
- (1) swivel hook

Drawer system includes:

- (1) 48"D x 16"W x 19"H jumbo tool drawer
- (2) 48"D x 12"W x 6"H partslider drawers
- (1) 48"D x 12"W x 4"H top edge



Description	Part#
Aluminum General Service Package, 144" WB	176M1GSP

STEEL

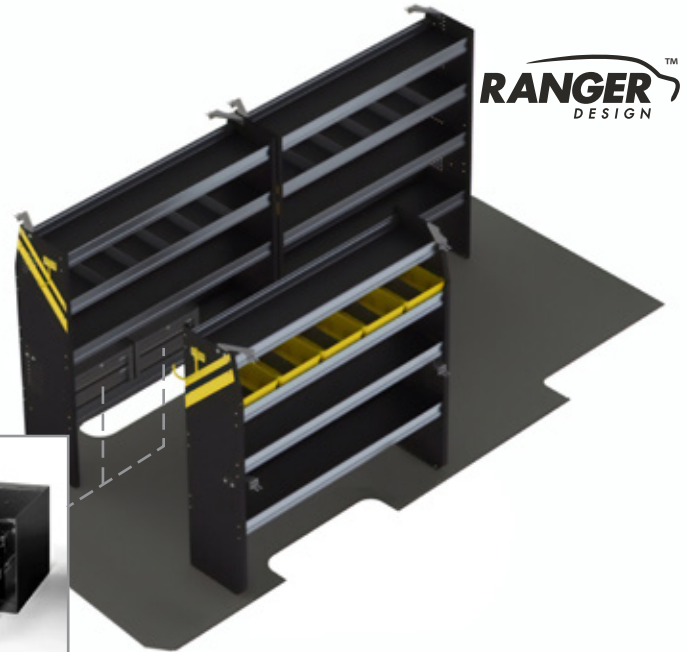
General Service Package 170" WB

Driver's side includes:

- (2) 62"H x 60"L 4-shelf shelving units
- (10) adjustable 3" rattle-free dividers
- (2) 18.5"W x 10.5"H 2-drawer cabinets
- (1) fixed hook

Passenger's side includes:

- (1) 62"H x 60"L 4-shelf shelving unit
- (5) 14"D x 12"W plastic bins
- (1) swivel hook



Description	Part#
Steel General Service Package, 170" WB	276M4GSP

ALUMINUM UPGRADE OPTION

General Service Package 170" WB

Driver's side includes:

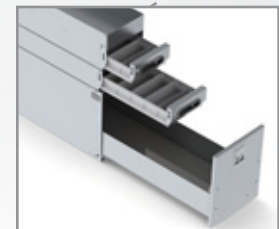
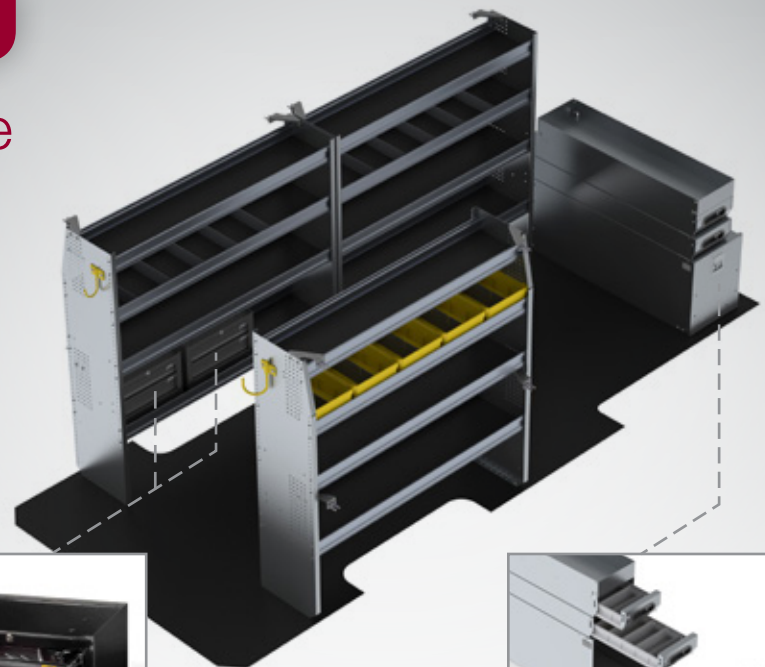
- (2) 62"H x 60"L 4-shelf shelving units
- (10) adjustable 3" rattle-free dividers
- (2) 18.5"W x 10.5"H 2-drawer cabinets
- (1) fixed hook

Passenger's side includes:

- (1) 62"H x 60"L 4-shelf shelving unit
- (5) 14"D x 12"W plastic bins
- (1) swivel hook

Drawer system includes:

- (1) 48"D x 16"W x 19"H jumbo tool drawer
- (2) 48"D x 12"W x 6"H partslider drawers
- (1) 48"D x 12"W x 4"H top edge



Description	Part#
Aluminum General Service Package, 170" WB	176M4GSP

HVAC Packages



STEEL

HVAC Package 144" WB



Driver's side includes:

- (1) 62"H x 96"L 4-shelf shelving unit
- (8) 14"D x 12"W plastic bins
- (2) 18.5"W x 10.5"H 2-drawer cabinets
- (1) large gas bottle holder
- (1) fixed hook

Passenger's side includes:

- (1) 62"H x 48"L 4-shelf shelving unit
- (10) adjustable 3" rattle-free dividers
- (1) 43"H x 10.5"W 4-tier refrigerant rack for bottles
- (1) swivel hook



Description	Part#
Steel HVAC Package, 144" WB	276M1HP

INTERIOR STORAGE & ORGANIZATION

ALUMINUM UPGRADE OPTION

HVAC Package 144" WB

- ✓ All-aluminum
- ✓ Additional drawer system at side door

Driver's side includes:

- (1) 62"H x 96"L 4-shelf shelving unit
- (8) 14"D x 12"W plastic bins
- (2) 18.5"W x 10.5"H 2-drawer cabinets
- (1) large gas bottle holder
- (1) fixed hook

Passenger's side includes:

- (1) 62"H x 48"L 4-shelf shelving unit
- (10) adjustable 3" rattle-free dividers
- (1) 43"H x 10.5"W 4-tier refrigerant rack for bottles
- (1) swivel hook

Drawer system includes:

- (1) 48"D x 16"W x 19"H jumbo tool drawer
- (1) 48"D x 12"W x 6"H partslider drawer
- (1) 48"W x 13"H horizontal refrigerant rack for 4 bottles



Description	Part#
Aluminum HVAC Package, 144" WB	176M1HP

STEEL

HVAC Package 170" WB

Driver's side includes:

- (2) 62"H x 60"L 4-shelf shelving units
- (10) 14"D x 12"W plastic bins
- (2) 18.5"W x 10.5"H 2-drawer cabinets
- (1) large gas bottle holder
- (1) fixed hook

Passenger's side includes:

- (1) 62"H x 60"L 4-shelf shelving unit
- (10) adjustable 3" rattle-free dividers
- (1) 43"H x 10.5"W 4-tier refrigerant rack for bottles
- (1) swivel hook



Description	Part#
Steel HVAC Package, 170" WB	276M4HP

ALUMINUM UPGRADE OPTION

HVAC Package 170" WB

Driver's side includes:

- (2) 62"H x 60"L 4-shelf shelving units
- (10) 14"D x 12"W plastic bins
- (2) 18.5"W x 10.5"H 2-drawer cabinets
- (1) large gas bottle holder
- (1) fixed hook

Passenger's side includes:

- (1) 62"H x 60"L 4-shelf shelving unit
- (10) adjustable 3" rattle-free dividers
- (1) 43"H x 10.5"W 4-tier refrigerant rack for bottles
- (1) swivel hook

Drawer system includes:

- (1) 48"D x 16"W x 19"H jumbo tool drawer
- (1) 48"D x 12"W x 6"H partslider drawer
- (1) 48"W x 13"H horizontal refrigerant rack for 4 bottles



Description	Part#
Aluminum HVAC Package, 170" WB	176M4HP

Plumbing Packages



STEEL

Plumbing Package 144" WB

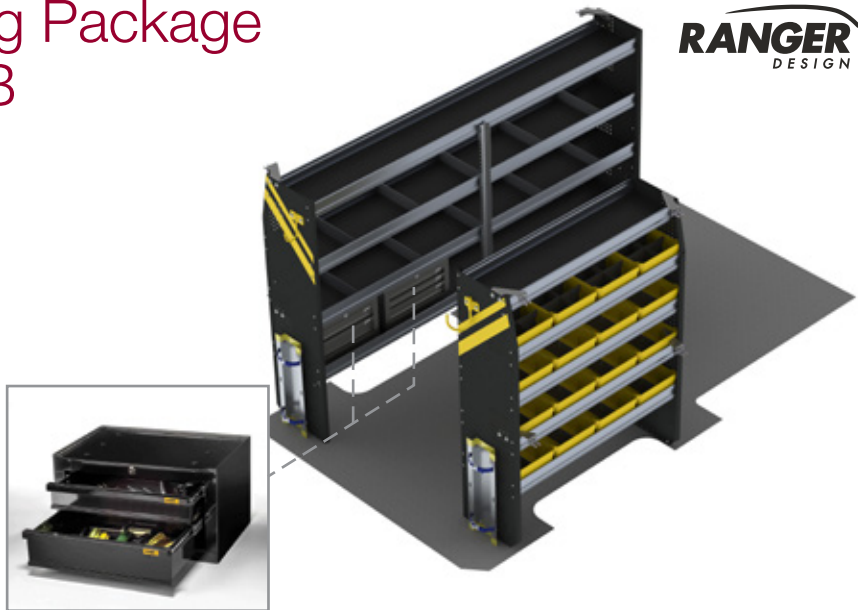


Driver's side includes:

- (1) 62"H x 96"L 4-shelf shelving unit
- (10) adjustable 3" rattle-free dividers
- (1) 18.5"W x 10.5"H 2-drawer cabinet
- (1) 18.5"W x 10.5"H 3-drawer cabinet
- (1) large gas bottle holder
- (1) fixed hook

Passenger's side includes:

- (1) 62"H x 48"L 5-shelf shelving unit
- (16) 14"D x 12"W plastic bins
- (8) cross dividers for bins
- (1) large gas bottle holder
- (1) swivel hook



Description	Part#
Steel Plumbing Package, 144" WB	276M1PP

INTERIOR STORAGE & ORGANIZATION

ALUMINUM UPGRADE OPTION

Plumbing Package 144" WB

- ✓ All-aluminum
- ✓ Additional drawer system at side door

Driver's side includes:

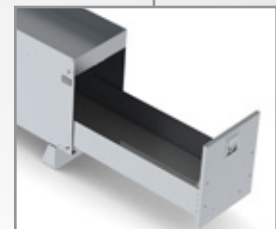
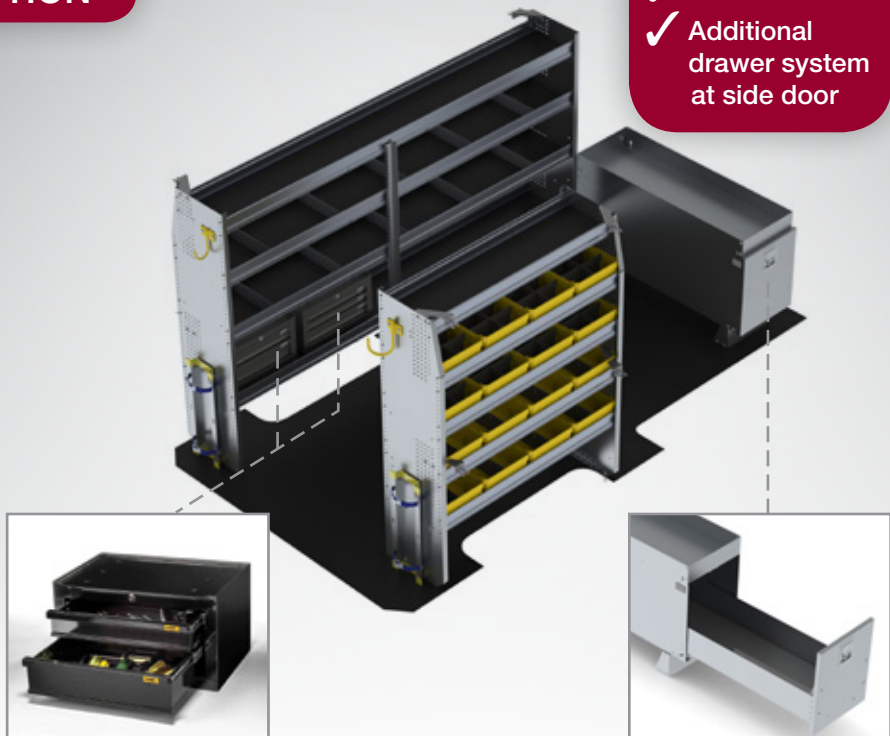
- (1) 62"H x 96"L 4-shelf shelving unit
- (10) adjustable 3" rattle-free dividers
- (1) 18.5"W x 10.5"H 2-drawer cabinet
- (1) 18.5"W x 10.5"H 3-drawer cabinet
- (1) large gas bottle holder
- (1) fixed hook

Passenger's side includes:

- (1) 62"H x 48"L 5-shelf shelving unit
- (16) 14"D x 12"W plastic bins
- (8) cross dividers for bins
- (1) large gas bottle holder
- (1) swivel hook

Drawer system includes:

- (1) 48"D x 16"W x 19"H jumbo tool drawer
- (1) 48"D x 12"W x 4"H top edge
- (2) 6"H raises for pipe or lumber



Description	Part#
Aluminum Plumbing Package, 144" WB	176M1PP

STEEL

Plumbing Package 170" WB

Driver's side includes:

- (2) 62"H x 60"L 4-shelf shelving unit
- (10) adjustable 3" rattle-free dividers
- (1) 18.5"W x 10.5"H 2-drawer cabinet
- (1) 18.5"W x 10.5"H 3-drawer cabinet
- (1) large gas bottle holder
- (1) fixed hook

Passenger's side includes:

- (1) 62"H x 60"L 5-shelf shelving unit
- (20) 14"D x 12"W plastic bins
- (10) cross dividers for bins
- (1) large gas bottle holder
- (1) swivel hook



Description	Part#
Steel Plumbing Package, 170" WB	276M4PP

ALUMINUM UPGRADE OPTION

Plumbing Package 170" WB

Driver's side includes:

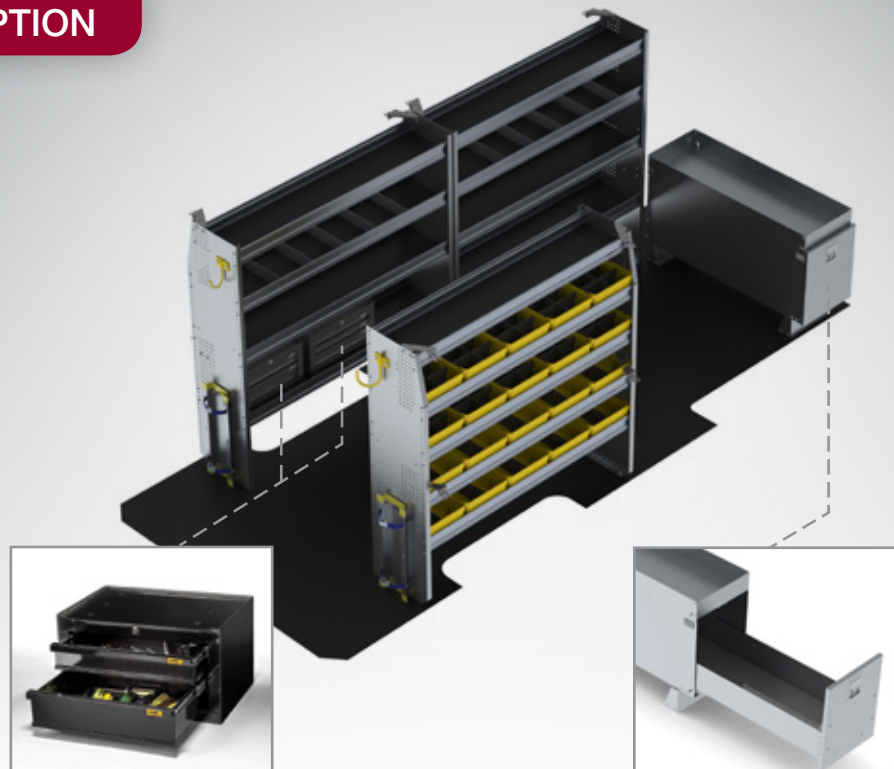
- (2) 62"H x 60"L 4-shelf shelving unit
- (10) adjustable 3" rattle-free dividers
- (1) 18.5"W x 10.5"H 2-drawer cabinet
- (1) 18.5"W x 10.5"H 3-drawer cabinet
- (1) large gas bottle holder
- (1) fixed hook

Passenger's side includes:

- (1) 62"H x 60"L 5-shelf shelving unit
- (20) 14"D x 12"W plastic bins
- (10) cross dividers for bins
- (1) large gas bottle holder
- (1) swivel hook

Drawer system includes:

- (1) 48"D x 16"W x 19"H jumbo tool drawer
- (1) 48"D x 12"W x 4"H top edge
- (2) 6"H raises for pipe or lumber



Description	Part#
Aluminum Plumbing Package, 170" WB	176M4PP

Electrical Packages



STEEL

Electrical Package 144" WB



Driver's side includes:

- (1) 62"H x 96"L 4-shelf shelving unit
- (8) 14"D x 12"W plastic bins
- (2) 11"H x 48"L locking cabinets
- (1) 18.5"W x 10.5"H 2-drawer cabinet
- (1) 18.5"W x 10.5"H 3-drawer cabinet
- (1) wire reel holder
- (1) fixed hook

Passenger's side includes:

- (1) 62"H x 48"L 4-shelf shelving unit
- (10) adjustable 3" rattle-free dividers
- (1) swivel hook



Description	Part#
Steel Electrical Package, 144" WB	276M1EP

INTERIOR STORAGE & ORGANIZATION

ALUMINUM UPGRADE OPTION

Electrical Package 144" WB

- ✓ All-aluminum
- ✓ Additional drawer system at side door

Driver's side includes:

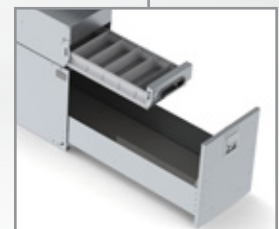
- (1) 62"H x 96"L 4-shelf shelving unit
- (8) 14"D x 12"W plastic bins
- (2) 11"H x 48"L locking cabinets
- (1) 18.5"W x 10.5"H 2-drawer cabinet
- (1) 18.5"W x 10.5"H 3-drawer cabinet
- (1) wire reel holder
- (1) fixed hook

Passenger's side includes:

- (1) 62"H x 48"L 4-shelf shelving unit
- (10) adjustable 3" rattle-free dividers
- (1) swivel hook

Drawer system includes:

- (1) 48"D x 16"W x 19"H jumbo tool drawer
- (1) 48"D x 12"W x 6"H partslider drawer
- (1) 48"D x 12"W x 4"H top edge



Description	Part#
Aluminum Electrical Package, 144" WB	176M1EP

STEEL

Electrical Package 170" WB

Driver's side includes:

- (2) 62"H x 60"L 4-shelf shelving units
- (10) 14"D x 12"W plastic bins
- (2) 11"H x 60"L locking cabinets
- (1) 18.5"W x 10.5"H 2-drawer cabinet
- (1) 18.5"W x 10.5"H 3-drawer cabinet
- (1) wire reel holder
- (1) fixed hook

Passenger's side includes:

- (1) 62"H x 60"L 4-shelf shelving unit
- (10) adjustable 3" rattle-free dividers
- (1) swivel hook



Description	Part#
Steel Electrical Package, 170" WB	276M4EP

INTERIOR STORAGE & ORGANIZATION

ALUMINUM UPGRADE OPTION

Electrical Package 170" WB

Driver's side includes:

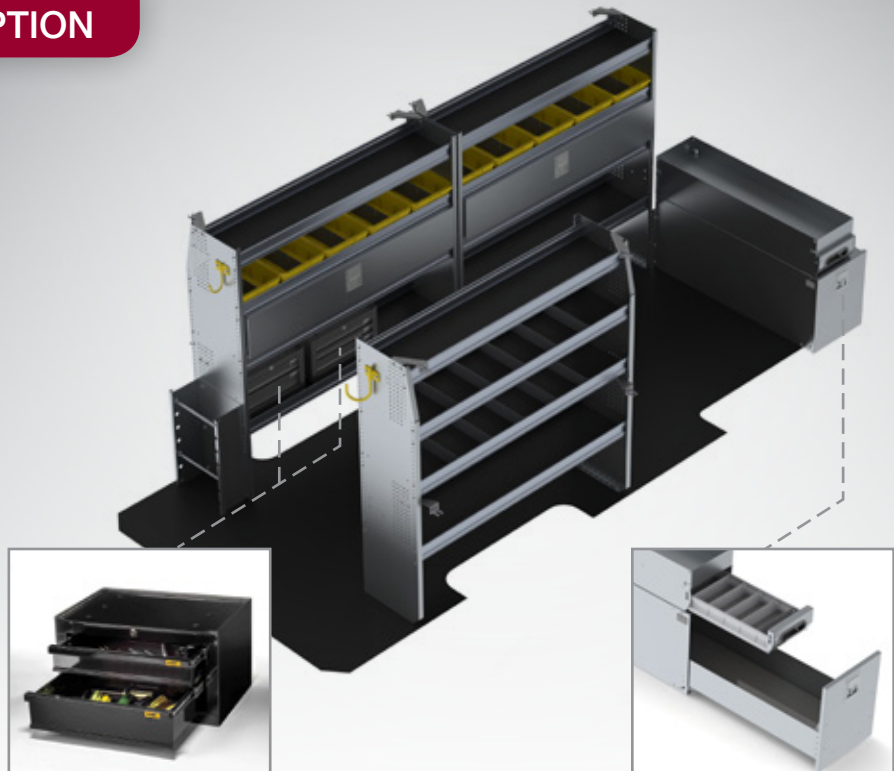
- (2) 62"H x 60"L 4-shelf shelving units
- (10) 14"D x 12"W plastic bins
- (2) 11"H x 60"L locking cabinets
- (1) 18.5"W x 10.5"H 2-drawer cabinet
- (1) 18.5"W x 10.5"H 3-drawer cabinet
- (1) wire reel holder
- (1) fixed hook

Passenger's side includes:

- (1) 62"H x 60"L 4-shelf shelving unit
- (10) adjustable 3" rattle-free dividers
- (1) swivel hook

Drawer system includes:

- (1) 48"D x 16"W x 19"H jumbo tool drawer
- (1) 48"D x 12"W x 6"H partslider drawer
- (1) 48"D x 12"W x 4"H top edge



Description	Part#
Aluminum Electrical Package, 170" WB	176M4EP

Delivery Packages



Delivery Package 144" WB



Driver's side includes:

- (2) 63"H x 48"L 2-shelf units with folding shelves

Passenger's side includes:

- (1) 63"H x 48"L 2-shelf unit with folding shelves



Description	Part#
Delivery Package, 144" WB	176M1DP

Delivery Package 170" WB

Driver's side includes:

- (1) 63"H x 58"L 2-shelf unit with folding shelves
- (1) 63"H x 72"L 2-shelf unit with folding shelves

Passenger's side includes:

- (1) 63"H x 72"L 2-shelf unit with folding shelves

- Folding shelves keep aisle clear when not in use
- Gas shock holds shelf in either up or down position
 - no latches or rattles
- Capacity is 40 lbs per linear foot
- Shelves are 20" deep



Description	Part#
Delivery Package, 170" WB	176M4DP

Customized Interiors...

- Climate Control & Ventilation
- Inverters & Power Systems
- Workbenches & Desks
- Warning & Scene Lighting



INTERIOR STORAGE & ORGANIZATION

...For Any Application

Locksmiths • Machinery Service • Fleet Maintenance
Municipal/Government • Mobile Office/Medical
Public Utilities • Concession • Showroom/Demo
Geological/Surveying • Catering • Film Production

Modular Tool & Parts Drawers



Save Time and Get Organized!

Access your most common items without even entering your vehicle.

INTERIOR STORAGE & ORGANIZATION



Jumbo Tool Drawer

- 320 lb capacity
- Open interior for tool bags & cases
- 16"W x 48"L x 20"H



Description	Part#
Jumbo Tool Drawer	176XXJTD

Parts Drawer

- 150 lb capacity
- Dividers for parts and hand tools
- Stack 1, 2 or 3 above your jumbo tool drawer
- 12"W x 48"L x 6"H



Description	Part#
Parts Drawer	176XXPD

Top Tray

- Turn your parts drawer top into additional organization
- Add 3 crates (optional)
- 12"W x 48"L x 4"H



Description	Part#
Top Tray	176XXTT
Top Tray With Crates	176XXTWC

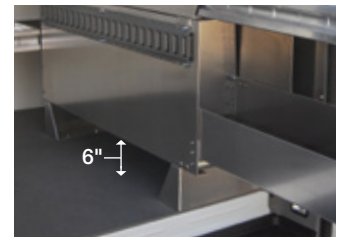
Add a Worktop to Your Drawer System

- 18"D x 48"W hardwood butcher block top



Description	Part#
Drawer System Worktop	176XXWT

Add a Raise For Long Pipe or Lumber



Description	Part#
Raises (set of 2)	176XX6R



Be Efficient!

Saving just 5 minutes per day will gain you 21 hours per year!

Single Partskeeper Unit

- Includes one case
- 3 mounting styles:
 - under shelf,
 - inset into shelf,
 - or stacked
- 14"D x 18"W x 5"H



Description	Part#
Single Partskeeper	176XXPC

INTERIOR STORAGE & ORGANIZATION

4 Pc. Partskeeper

- 14"D x 18"W x 24"H



Description	Part#
4 Pc. Partskeeper	176XX4PC

5 Pc. Partskeeper

- 14"D x 18"W x 43"H



Description	Part#
5 Pc. Partskeeper	176XX5PC

8 Pc. Partskeeper

- 14"D x 18"W x 43"H



Description	Part#
8 Pc. Partskeeper	176XX8PC

Drawer Cabinets

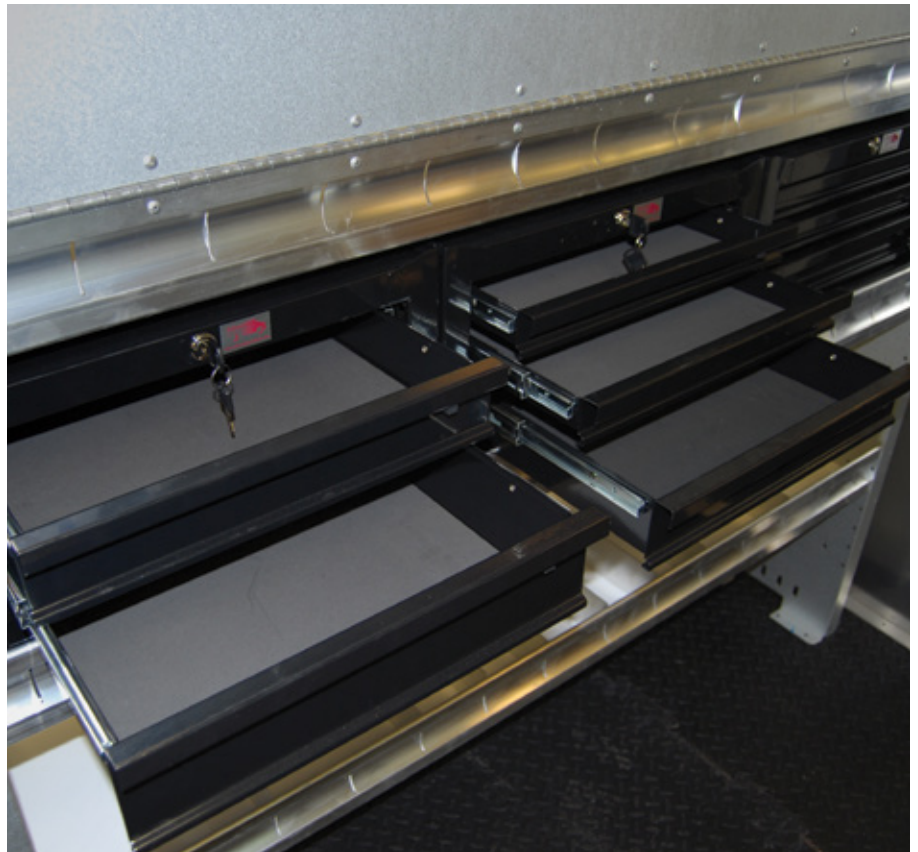


2-Drawer & 3-Drawer Cabinets:

- Latching drawers with ball bearing slides
- Includes key lock for security
- Cabinets can be individually mounted to shelves or stacked on floor
- 12.5"D x 18.5"W x 10.5"H

9-Drawer Cabinet:

- Rattle-free plastic drawers with dividers
- Includes built-in drawer catch
- 12.5"D x 18.5"W x 10.5"H

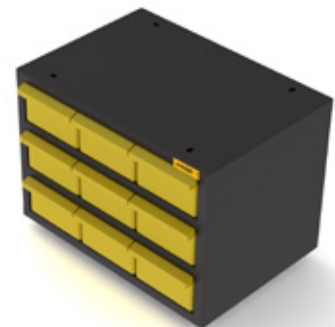


INTERIOR STORAGE & ORGANIZATION

2-Drawer Cabinet

3-Drawer Cabinet

9-Drawer Cabinet



Description	Part#
2-Drawer Cabinet	876XX2DC

Description	Part#
3-Drawer Cabinet	876XX3DC

Description	Part#
9-Drawer Cabinet	876XX9DC

Locking Doors



Description	Part#
36" Locking Door	876XX36LD
42" Locking Door	876XX42LD
48" Locking Door	876XX48LD
60" Locking Door	876XX60LD

Dividers (pack of 5)



Description	Part#
10" Adjustable Shelf Dividers	876XX10D
12" Adjustable Shelf Dividers	876XX12D
14" Adjustable Shelf Dividers	876XX14D

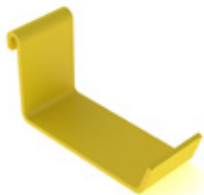
Bins



Description	Part#
10"D Plastic Bin	876XX10B
12"D Plastic Bin	876XX12B
14"D Plastic Bin	876XX14B
Cross Dividers (set of 2)	876XXBD

INTERIOR STORAGE & ORGANIZATION

Ladder Hook



Description	Part#
Ladder Hook	876XXLH

Swivel Hook



Description	Part#
Swivel Hook	864XXSW

Fixed Hook



Description	Part#
Fixed Hook	864XXFH

Cab Accessories

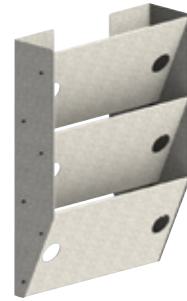


Cab Organizer Box



Description	Part#
Cab Organizer Box with Raise	876MXCB

3-Slot Paper Holder



Description	Part#
Steel 3-Slot Paper Holder	876XX3PH

First-Aid Kit



Description	Part#
First-Aid Kit With Holder	864XXFA

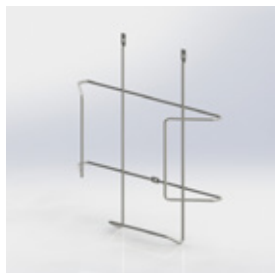
Seat Covers

- Custom-fit
- Tough Cordura fabric



Description	Part#
Seat Covers (set of 2)	876MXSC

Hard Hat Holder



Description	Part#
Hard Hat Holder	876XXHH

Triangle Kit



Description	Part#
Triangle Kit	876XXTK

Five Level Bottle Holder:

- For 30lb and 50lb refrigerant tanks

Four Level Bottle Holder:

- For 30lb refrigerant tanks

Small Bottle Holder:

- For MC tanks

Large Bottle Holder:

- For B tanks and nitrogen tanks



Small Bottle Holder



Description	Part#
Small Bottle Holder	864XXSBH

Four Level Bottle Holder



Description	Part#
Four Level Bottle Holder	876XX4BH

Five Level Bottle Holder



Description	Part#
Five Level Bottle Holder	876XX5BH

Large Bottle Holder



Description	Part#
Large Bottle Holder	864XXLBH

INTERIOR STORAGE & ORGANIZATION

Roof Equipment



Drop Down Ladder Racks



- Aluminum construction
- Removable rotation bar included
- Single side rack holds 1 extension ladder
- Double side rack holds 2 extension ladders
- Add optional third crossbar to hold stepladders



Single-Side Drop Down



Double-Side Drop Down

Description	Part#
Single-Side Drop Down (does not include roof rails)	374MXSR
Single-Side Drop Down (includes roof rails)	374MXSRT

Description	Part#
Double-Side Drop Down (does not include roof rails)	374MXDR
Double-Side Drop Down (includes roof rails)	374MXDRT

Cargo Racks

- Rust-free aluminum construction
- Includes ladder stops & straps
- Access ladders available



Model	Low Roof Part#	High Roof Part#
2 Bar Rack	395M12B	395M22B
3 Bar Rack	395M13B	395M23B
Rear Roller	395M1RR	395M2RR

Roof Decks

- Heavy duty anodized aluminum construction
- Aerodynamically designed
- Includes rear roller

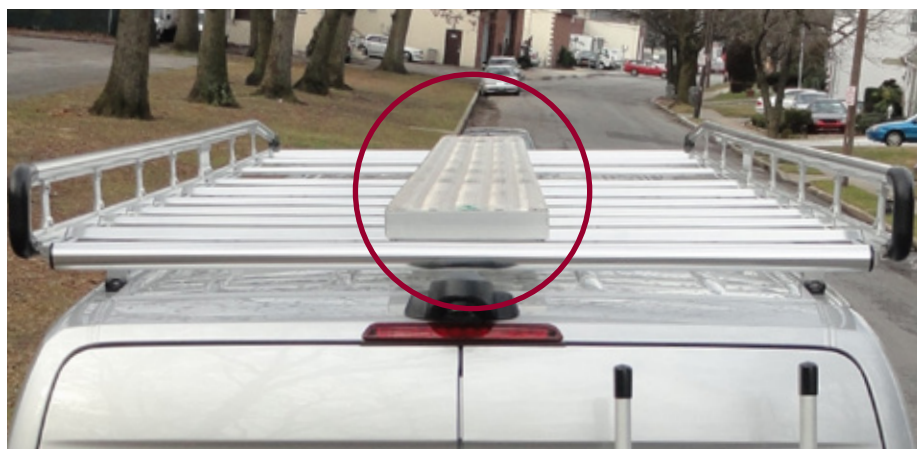


Model	Part#
144" WB LR	374M1RD
144" WB HR	374M2RD
170" WB HR/170" WB Ext HR	374M4RD

Catwalk Plank

(optional)

- Rust-free gripstrut aluminum
- Add to cargo rack or roof deck



Model	Part#
12"W Gripstrut Catwalk	319XXCW

Roof Equipment



Access Ladders

- Heavy duty extruded aluminum
- Contoured to fit Sprinter
- White bolt-on ladder recommended for cargo racks
- Anodized clamp-on ladder recommended for roof decks



Bolt-on



Clamp-on

Model	Bolt-on Part#	Clamp-on Part#
Low Roof	795X1ALW	774MXALL
High Roof	795X2ALW	774MXALH

ROOF EQUIPMENT

Conduit Carrier

- 5" square rigid one piece design
- White powder-coated aluminum with black end caps
- Inside length of 10' 1"
- Lockable
- Add to any ladder rack



Description	Part#
Conduit Carrier	774XXCT

Roof Rails

- Powder-coated aluminum
- Uses factory mounting points

Warning: Rails are required for installation of our cargo racks. If your Sprinter does not have factory rails, these must be added.



Description	Part#
144" WB	774M1RR
170" WB/170" WB Ext	774M4RR

Running Boards

- Black powder-coated aluminum
- Wide tubular design
- 98" passenger's board & 36" driver's board



Description	Part#
Running Boards	760MXSRB

Windows

- OEM fit
- Light smoke tint



Description	Part#
Rear LH & RH	743MXRW
Driver's Side Forward	743MXDSFW
Sliding Door	743MXSDW
Porthole	732XXPW

Grill Guard

- Black powder-coated steel
- Protects from costly bumper damage



Description	Part#
Bumper Guard	762MXGG

Commercial Accessories



Tow Hitches

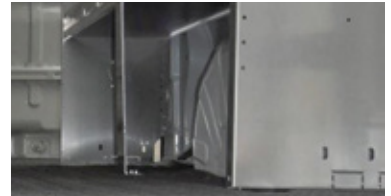
- Class III (600 lb tongue weight, 6000 lb trailer weight)
- 4-way flat & 7-way wiring systems



Duplex 4-Way Flat & 7-Way Wiring



Digital Brake Controller



Description	Part#
144" WB 2500 & All 170" WB with Standard Bumper	706M4HNB
144" WB 2500 & All 170" WB with Step Bumper	706M4HSB
144" WB 3500 with Step Bumper	706M3HSB
4-Way Flat Wiring Kit	506MX4TC
Duplex 7-Way/4-Way Wiring Kit*	506MX7TC
Digital Brake Controller**	506MXTBC

* WARNING: Requires a Digital Brake Controller to enable trailer brakes.

**Requires factory E40 option (trailer hitch prep package)

COMMERCIAL ACCESSORIES

Rear Steps

- Black powder-coated metal — hitch step is steel, full step is aluminum
- Assists in rear entry

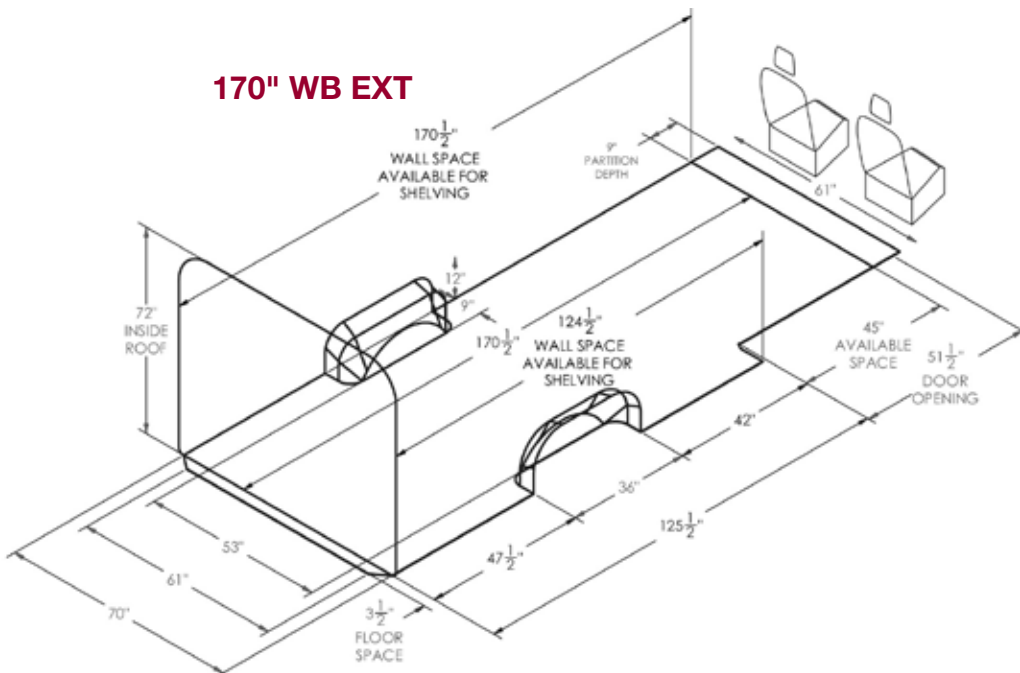
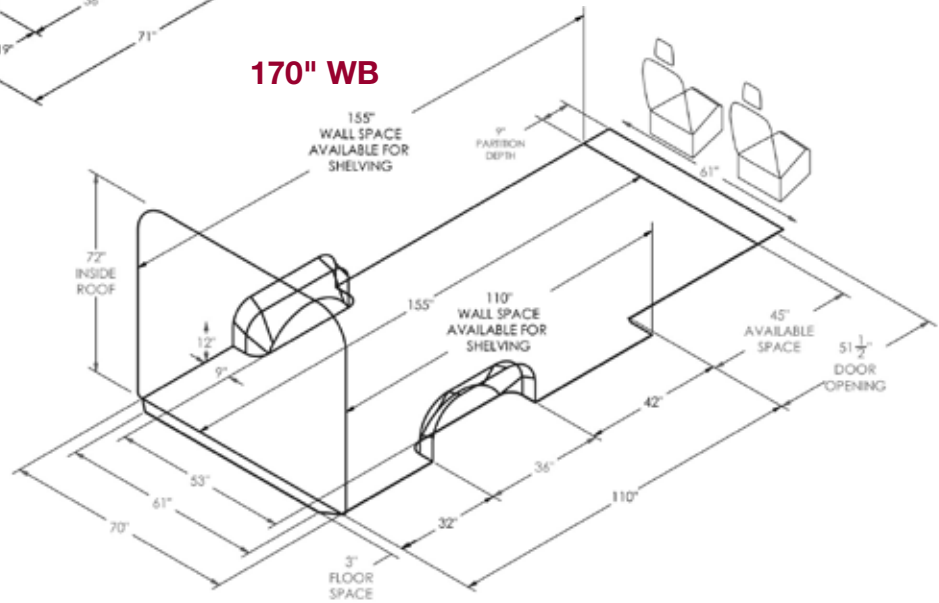
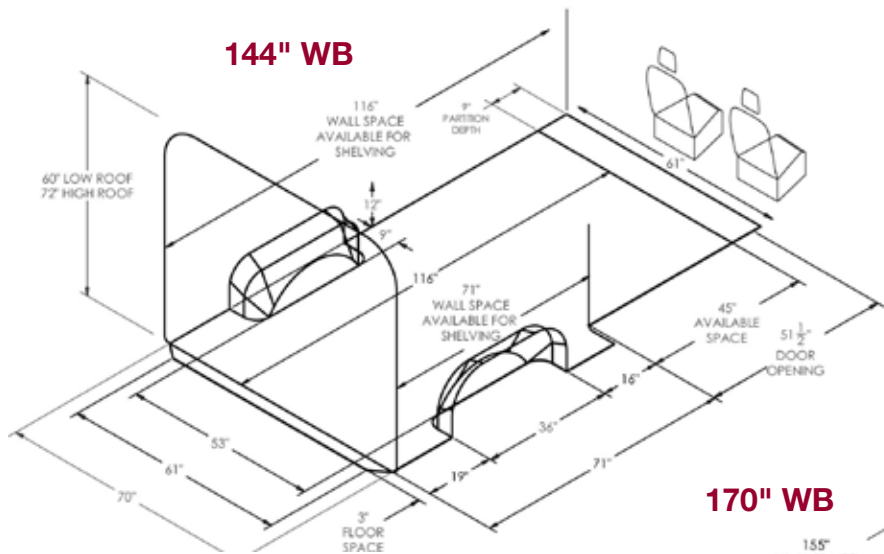


Hitch Step



Full Step

Description	Part#
Hitch Step	770XXHS
Full Step	760MXBAS



DIMENSION GUIDE

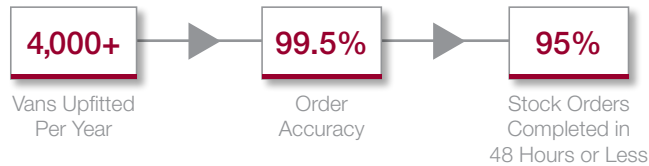


Sprinter

UPFIT GUIDE

Your Sprinter Customizing Starts Here.

Let Advantage Outfitters make your van work ready!



Certified Mercedes-Benz
MASTER UPFITTER

Serving the tri-state region
New York • New Jersey • Connecticut

Contact Your Mercedes Dealer

866.925.4844

www.advantageoutfitters.com

255 West Street
South Hackensack, NJ 07606

107 E. Hawthorne Avenue
Valley Stream, NY 11580